



# basic education

Department:  
Basic Education  
REPUBLIC OF SOUTH AFRICA

MARKS	
-------	--

## ANNUAL NATIONAL ASSESSMENT 2014 GRADE 2 ENGLISH HOME LANGUAGE TEST

MARKS: 30

TIME: 1 HOUR

PROVINCE \_\_\_\_\_

DISTRICT \_\_\_\_\_

CIRCUIT \_\_\_\_\_

SCHOOL NAME \_\_\_\_\_

EMIS NUMBER (9 digits) 

--	--	--	--	--	--	--	--	--

CLASS (e.g. 2A) \_\_\_\_\_

SURNAME \_\_\_\_\_

NAME \_\_\_\_\_

GENDER (✓) 

BOY	
-----	--

GIRL	
------	--

DATE OF BIRTH 

C	C	Y	Y	M	M	D	D
---	---	---	---	---	---	---	---

This test consists of 13 pages, excluding the cover page.

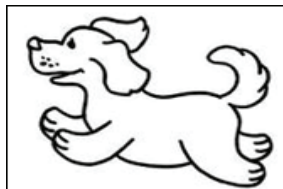
### Note to the teacher:

1. Read each question slowly and audibly to the learners.
2. Read the question twice, while the learners follow in their booklets.
3. Give them time to write answers independently, in the spaces provided.
4. Once they have finished, continue to read the next question.
5. Follow the same procedure to the last question.
6. The test counts 30 marks.
7. The duration of the test is 60 minutes.

### Practice exercises

1. Circle the letter above the correct word.

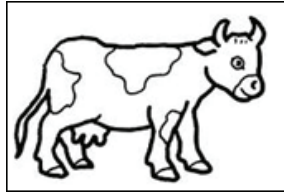
This is a ...



A	B	C	D
cat.	cow.	hen.	dog.

2. Place a cross (x) in the box next to the correct answer.

This is a ...



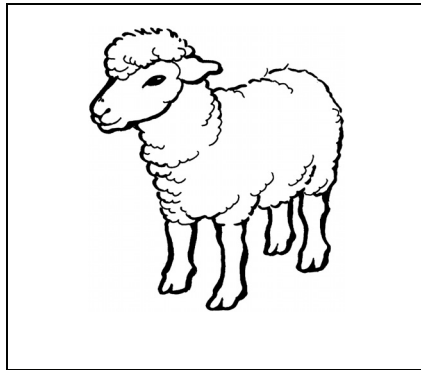
cat.	
rat.	
dog.	
cow.	X

In your test you will answer some more questions like the ones you have just completed.

The test starts on the next page.

I. Look at the picture below.

II. Circle the letter next to the correct answer.



This is a ...

A cheap.

B sheet.

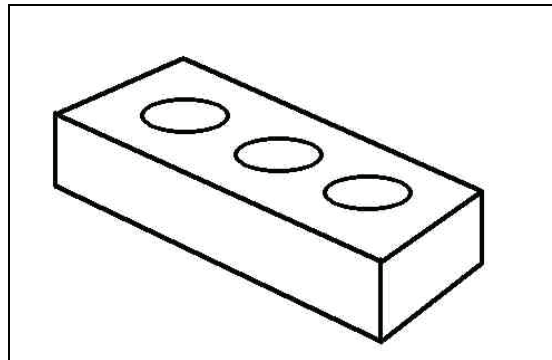
C sheep.

D sweep.

1.2 Choose the correct word from the box for the picture.

Write the word on the line below the picture.

brush	bread	brick	brown
-------	-------	-------	-------



.....

1.3 Circle the letter next to the correct answer.

A car has four ...

A whales.

B wheels.

C whiskers.

D whispers.

Read the story and answer questions 2-8 below.

Shabalala Primary School is hosting a soccer match for all the primary schools. The grade two boys and girls are very excited.

The coach makes the children practice daily. The coach blows the whistle. Each child has to run over and under the wheels, then jump on the trampoline and then sit on the chair. The coach says "Well done!"

The girls and the boys from Shabalala Primary won the soccer matches against the other schools. Their hard work paid off. They were excited because they won the big trophy.

The children get a treat at the school shop. The coach gives the children chips, cheese, fruit shakes and wholewheat bread.

2. Place a cross (x) in the box next to the correct answer.

The best title (name) for the story is ...

The school match	<input type="checkbox"/>
The class match	<input type="checkbox"/>
The soccer match	<input type="checkbox"/>
The netball match	<input type="checkbox"/>

3. Place a cross (x) in the box next to the correct answer.  
Who makes the children practice daily?

The boys	
The girls	
The principal	
The coach	

4. Complete the sentence.

..... Primary School hosted the soccer match.

5. Show the correct order of events in the story.  
Number the sentences from 1-4 in the boxes.

The children got a treat.	
Shabalala Primary won the soccer match.	
Shabalala Primary is hosting the soccer match.	
The coach made the children practice daily.	

6. Place a cross (x) in the box next to the correct answer.

The children won the match because ...

they had to practice daily.	<input type="checkbox"/>
the coach blew the whistle.	<input type="checkbox"/>
the children were very excited.	<input type="checkbox"/>
they got a treat at the school shop.	<input type="checkbox"/>

7. Place a cross (x) in the box next to the correct answer.

The girls and boys were excited because ...

they had to practice daily.	<input type="checkbox"/>
they won the big trophy.	<input type="checkbox"/>
the coach helped them.	<input type="checkbox"/>
they did not get a treat at school.	<input type="checkbox"/>



8. Answer the questions below.

Write the answers on the lines.

8.1 What did you like or dislike about the story?

.....

8.2 Give a reason for your answer?

.....

9. Circle the letter next to the correct answer.

Which word means the same as scared?

A sad

B angry

C happy

D afraid

10. Write the correct answer on the line.

The opposite of big is .....

II. Circle the letter next to the correct answer.

II.1 A scary dream will make you ...eam.

A dr

B cr

C scr

D str

II.2 Jane likes ice- ... eam.

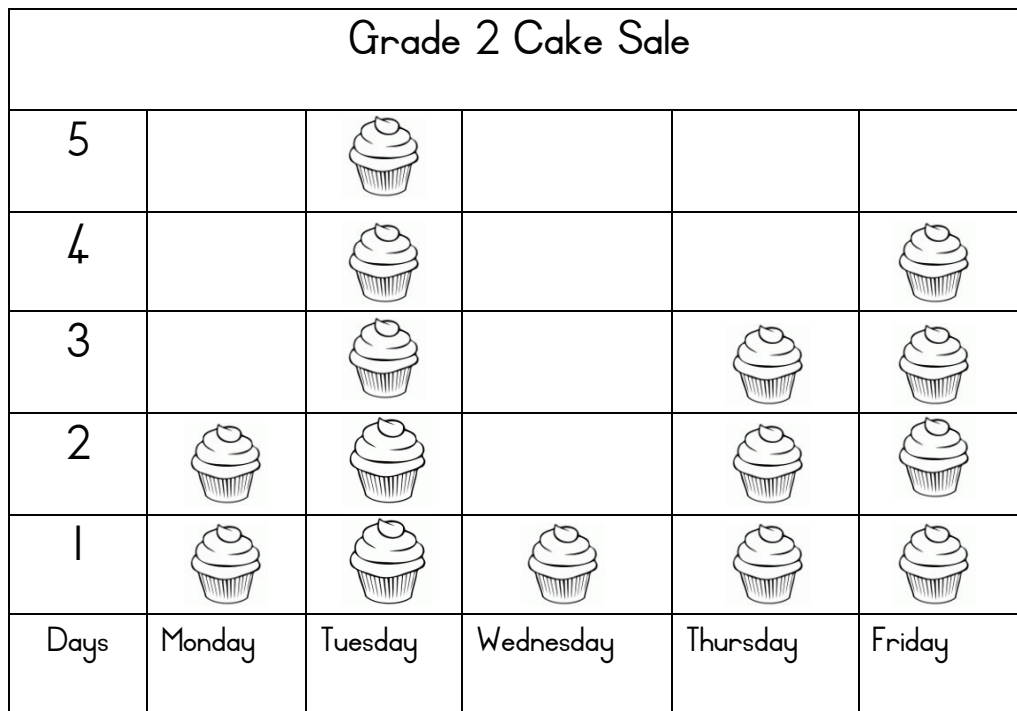
A dr

B cr

C str

D scr

12. Look at the graph and then answer the questions below.



12.1 Circle the letter next to the correct answer.

On which day did they sell the most cakes?

- A Monday
- B Tuesday
- C Wednesday
- D Thursday

12.2 Circle the letter next to the correct answer.

Which day had the least cake sales?

- A Monday
- B Tuesday
- C Wednesday
- D Thursday

12.3 Circle the letter next to the correct answer.

Which grade had the cake sale?

- A 3
- B 4
- C 1
- D 2

13. Circle the letter next to the correct answer.

The coach helped ...

- A we.
- B I.
- C us.
- D our.

14. Rewrite the following sentences.

Start with the given words.

14.1 Lebo plays with her dog.

Yesterday .....

14.2 John reads a book.

Tomorrow .....

15. Rewrite the sentences.

15.1 Fill in **two** punctuation marks in the sentence below.

Bongi eats meat fruit and vegetables each week

.....

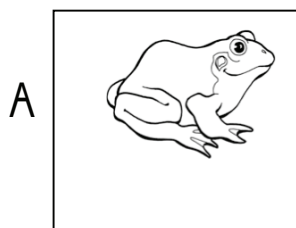
15.2 Fill in **one** punctuation mark in the sentence below.

Does his brother still live in Cape Town

.....

16. A noun is a naming word.

Look at the picture and fill in the noun.



..... lives in the water and on land.

17. Write a paragraph of 5-8 sentences about the picture below.



.....

.....

.....

.....

.....

.....

.....

.....

.....

.....

.....

.....

TOTAL: 30

